

Modular Cooking Range Line EVO700 4-Burner Gas Range on Open base

ITEM # _____

MODEL # _____

NAME # _____

SIS # _____

AIA # _____



372178 (Z7GCGH4C00)

4-burner (5,5 kW each) gas
range on open base

Short Form Specification

Item No. _____

To be installed on stainless steel feet with height adjustment up to 50 mm. High efficiency flower flame burners with flame regulator and protected pilot light. Flame failure device as standard on burners to protect against accidental extinguishing. Exterior panels in stainless steel with Scotch Brite finish. Pan supports in heavy duty cast iron. Right-angled side edges to allow flush-fitting junction between units.

Main Features

- Gas appliance supplied for use with natural or LPG gas, conversion jets supplied as standard.
- Large sized pan support in cast iron (stainless steel as option) with long center fins to allow the use of the largest down to the smallest pans.
- Flame failure device on each burner protects against gas leakage when accidental extinguishing of the flame occurs.
- Protected pilot light.
- Unit to be mounted on open base cupboards, bridging supports or cantilever systems.
- The four 5.5 kW high efficiency flower flame burners allow the flame to adapt to different size pans.
- Pan supports in cast iron are washable in a dishwasher.
- Burners to feature flame regulator.
- IPx4 water protection.
- Control knobs provide smooth, continuous rotation from min to max power level.

Construction

- All exterior panels in Stainless Steel with Scotch Brite finishing.
- Model has right-angled side edges to allow flush fitting joints between units, eliminating gaps and possible dirt traps.
- One piece pressed 1.5 mm work top in Stainless steel.

APPROVAL: _____

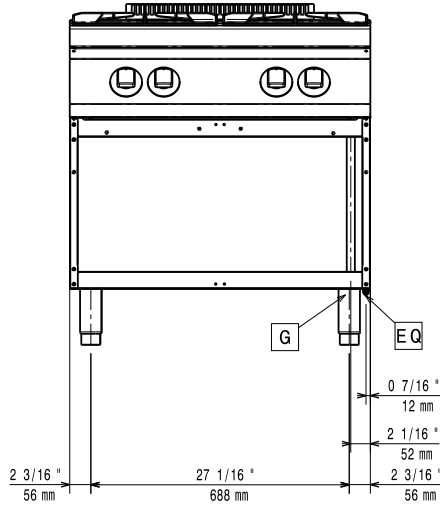
Optional Accessories

• Junction sealing kit	PNC 206086	<input type="checkbox"/>	• 2 drawers for open base, height 100 mm	PNC 206360	<input type="checkbox"/>
• Draught diverter, 150 mm diameter	PNC 206132	<input type="checkbox"/>	• Wok pan support for open burners (EVO700/900)	PNC 206363	<input type="checkbox"/>
• Matching ring for flue condenser, 150 mm diameter	PNC 206133	<input type="checkbox"/>	• Base support for feet or wheels - 800mm (EVO700/900)	PNC 206367	<input type="checkbox"/>
• 4 wheels, 2 swivelling with brake (EVO700/900). It is mandatory to install with base supports for feet/wheels.	PNC 206135	<input type="checkbox"/>	• Base support for feet or wheels - 1200mm (EVO700/EVO900)	PNC 206368	<input type="checkbox"/>
• Flanged feet kit	PNC 206136	<input type="checkbox"/>	• Base support for feet or wheels - 1600mm (EVO700/900)	PNC 206369	<input type="checkbox"/>
• Frontal kicking strip for concrete installation, 800 mm	PNC 206148	<input type="checkbox"/>	• Rear paneling - 800mm (EVO700/900)	PNC 206374	<input type="checkbox"/>
• Frontal kicking strip for concrete installation, 1000 mm	PNC 206150	<input type="checkbox"/>	• Rear paneling - 1000mm (EVO700/900)	PNC 206375	<input type="checkbox"/>
• Frontal kicking strip for concrete installation, 1200 mm	PNC 206151	<input type="checkbox"/>	• Rear paneling - 1200mm (EVO700/900)	PNC 206376	<input type="checkbox"/>
• Frontal kicking strip for concrete installation, 1600 mm	PNC 206152	<input type="checkbox"/>	• Chimney grid net, 500mm	PNC 206402	<input type="checkbox"/>
• Frontal handrail 800 mm	PNC 206167	<input type="checkbox"/>	• Kit G.25.3 (NI) gas nozzles for 700 top and - freestanding on oven - gas cookers	PNC 206460	<input type="checkbox"/>
• Frontal kicking strip, 800 mm	PNC 206176	<input type="checkbox"/>	• Pressure regulator for gas units	PNC 927225	<input type="checkbox"/>
• Frontal kicking strip, 1000 mm	PNC 206177	<input type="checkbox"/>			
• Frontal kicking strip, 1200 mm	PNC 206178	<input type="checkbox"/>			
• Frontal kicking strip, 1600 mm	PNC 206179	<input type="checkbox"/>			
• Large handrail (portioning shelf) 800 mm	PNC 206186	<input type="checkbox"/>			
• Frontal handrail 1200 mm	PNC 206191	<input type="checkbox"/>			
• Frontal handrail 1600 mm	PNC 206192	<input type="checkbox"/>			
• 4 feet for concrete installation (not for 900 line freestanding grill)	PNC 206210	<input type="checkbox"/>			
• Right and left side handrails	PNC 206240	<input type="checkbox"/>			
• 2 supports with side runners for 4 GN 1/1 containers for open base cupboards (multifunctional cookers, solid top and gas ranges with cupboard)	PNC 206244	<input type="checkbox"/>			
• Central support for installation of drawers and grid supports for open base cupboards	PNC 206245	<input type="checkbox"/>			
• Flue condenser for 1 module, 150 mm diameter	PNC 206246	<input type="checkbox"/>			
• Pair of side kicking strips	PNC 206249	<input type="checkbox"/>			
• Electric heating kit for cupboards	PNC 206259	<input type="checkbox"/>			
• Single burner smooth plate for direct cooking - fits frontal burners only	PNC 206260	<input type="checkbox"/>			
• Single burner ribbed plate for direct cooking- fits frontal burners only	PNC 206261	<input type="checkbox"/>			
• Single burner radiant plate for pan support	PNC 206264	<input type="checkbox"/>			
• Pair of side kicking strips (concrete installation)	PNC 206265	<input type="checkbox"/>			
• Water column with swivel arm (water column extension not included)	PNC 206289	<input type="checkbox"/>			
• Water column extension	PNC 206291	<input type="checkbox"/>			
• Stainless steel grid for 2 burners	PNC 206297	<input type="checkbox"/>			
• Chimney upstand, 800 mm	PNC 206304	<input type="checkbox"/>			
• Door for open base cupboard	PNC 206342	<input type="checkbox"/>			

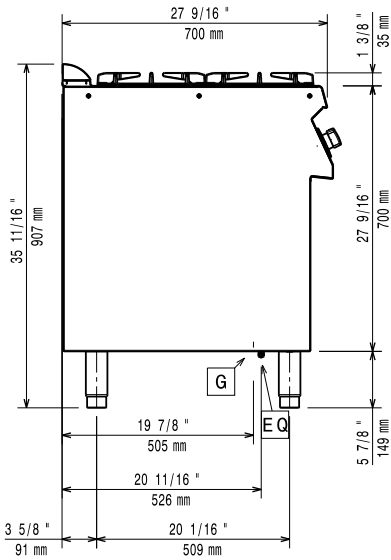
**Modular Cooking Range Line
EVO700 4-Burner Gas Range on Open base**

The company reserves the right to make modifications to the products without prior notice. All information correct at time of printing.

Front

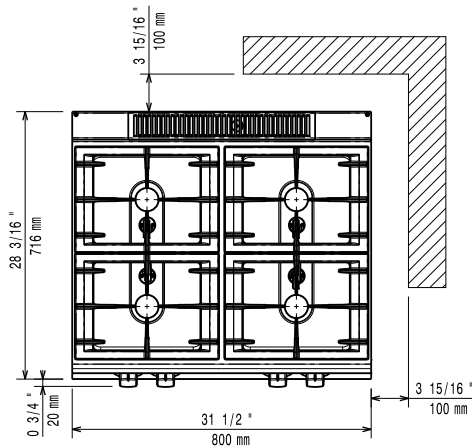


Side



G = Gas connection

Top



Gas

Gas Power:	22 kW
Standard gas delivery:	Natural Gas G20 (20mbar)
Gas Type Option:	LPG;Town
Gas Inlet:	1/2"

Key Information:

If appliance is set up or next to or against temperature sensitive furniture or similar, a safety gap of approximately 150 mm should be maintained or some form of heat insulation fitted.

Net weight:	50 kg
Shipping weight:	66 kg
Shipping height:	1080 mm
Shipping width:	820 mm
Shipping depth:	860 mm
Shipping volume:	0.76 m ³
Front Burners Power:	5.5 - 5.5 kW
Back Burners Power:	5.5 - 5.5 kW
Certification group:	N7CG
Back Burners Dimension - mm	Ø 60 Ø 60
Front Burners Dimension - mm	Ø 60 Ø 60